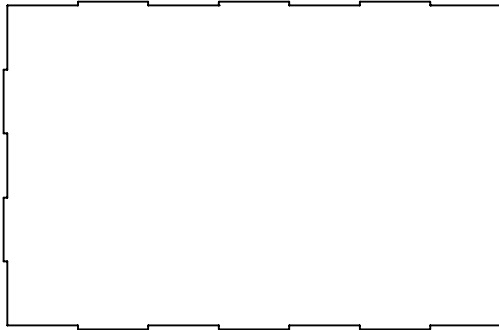


# KD Sealed LEGO® Case Instruction Sheet

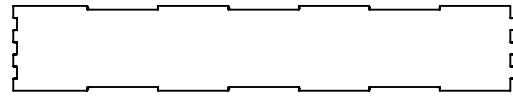
ASSEMBLY INSTRUCTIONS

PLEASE CAREFULLY READ AND FOLLOW ALL THE INSTRUCTIONS IN THE DESIGNATED SEQUENCE.

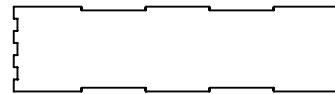
## PARTS LIST:



TOP/BOTTOM PANEL  
(2 pcs)



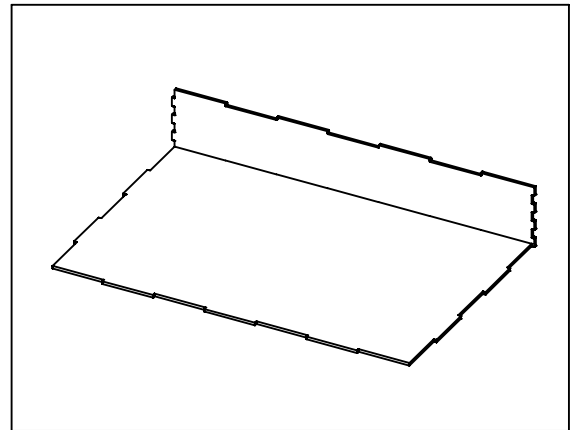
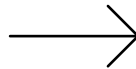
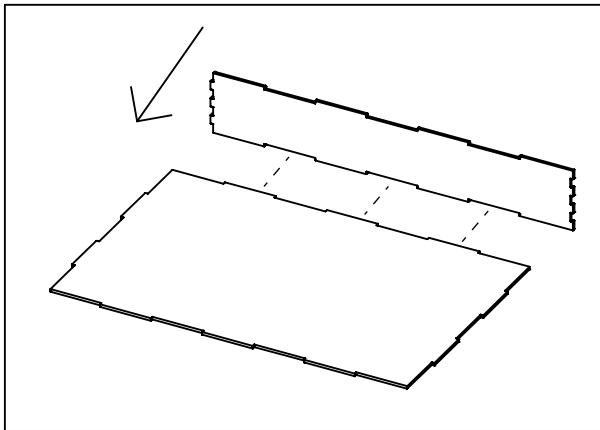
FRONT/BACK PANEL  
(2 pcs)



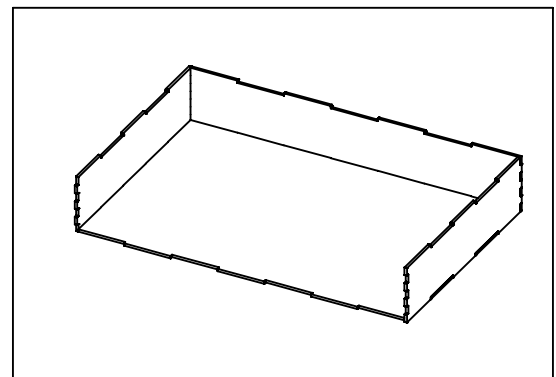
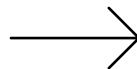
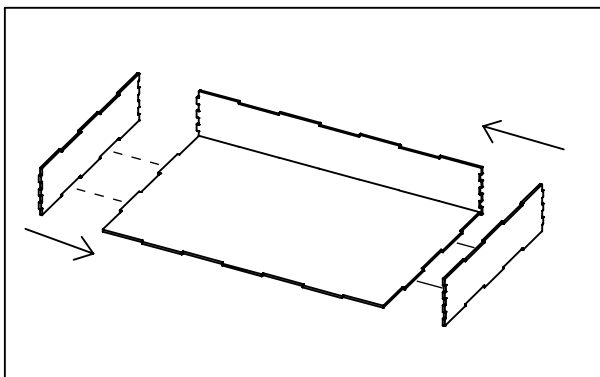
SIDE PANEL  
(2 pcs)

**STEP 1:** Remove protective film from both sides of each part before assembly.

**STEP 2:** Lay one Top/Bottom Panel on a flat surface & press fit one Front/Back Panel, applying even pressure across the panel.



**STEP 3:** Attach Side Panels to Top/Bottom Panel & Front/Back Panel, applying even pressure across both panels.

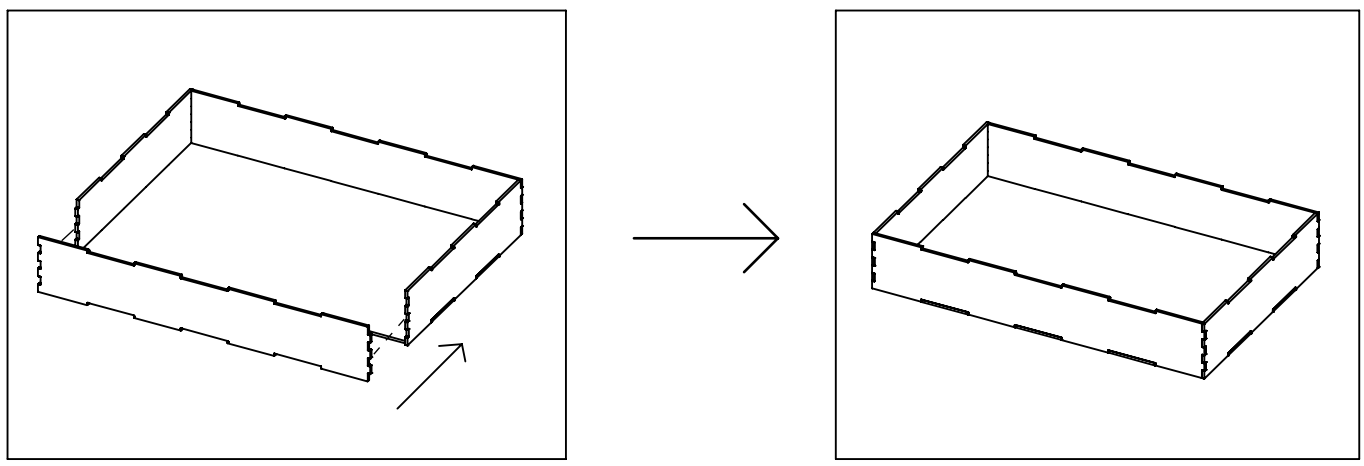


# KD Sealed LEGO® Case Instruction Sheet

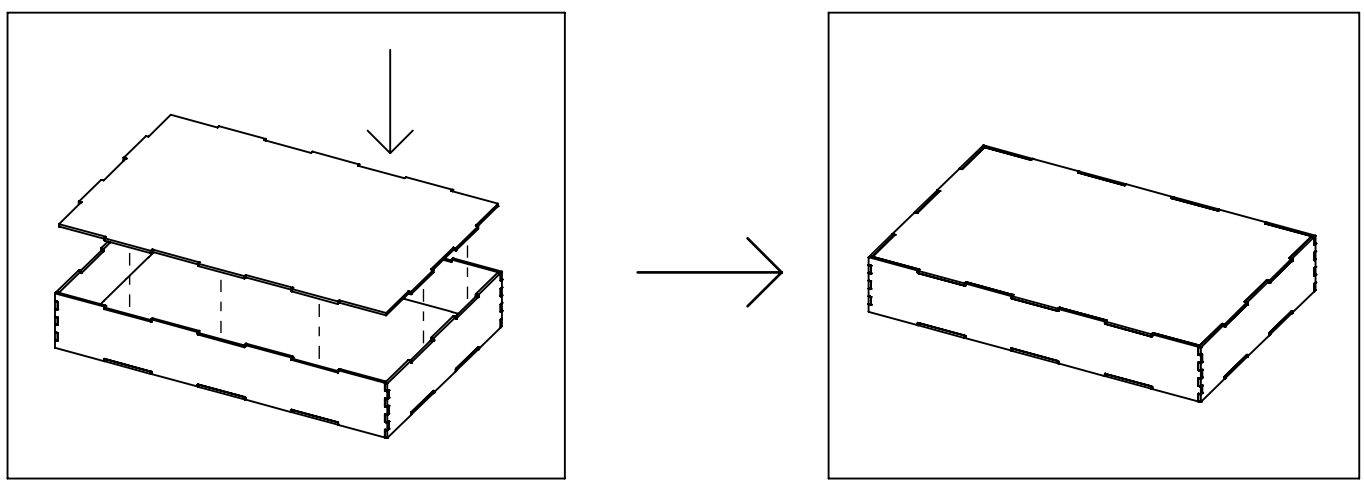
ASSEMBLY INSTRUCTIONS

PLEASE CAREFULLY READ AND FOLLOW ALL THE INSTRUCTIONS IN THE DESIGNATED SEQUENCE.

**STEP 4:** Attach remaining Front/Back Panel to Side Panels & Top/Bottom Panel, applying even pressure across the panel.



**STEP 5:** Insert LEGO® box into case. Attach remaining Top/Bottom Panel to Side Panels & Front/Back Panel, applying even pressure across the panel.



Inspect seams and apply even pressure as necessary to ensure a tight fit.  
**NOTE:** To ensure a tight fit of parts, the frequency at which the case is moved or disassembled should be kept minimal.

shopPOPdisplays makes no claim that these assembly instructions cover all details, conditions or variations, or that they cover all possible contingencies in connection with the assembly or installation of this product. It is the Purchaser's responsibility to ensure that all components of this product are properly assembled and installed in accordance with these instructions. shopPOPdisplays assumes no obligation or liability on account of any third-party recommendations, opinions or advice as to the assembly or installation of this product.

# KD Sealed LEGO® Case Instruction Sheet

ASSEMBLY INSTRUCTIONS

PLEASE CAREFULLY READ AND FOLLOW ALL THE INSTRUCTIONS IN THE DESIGNATED SEQUENCE.

## ASSEMBLY COMPLETED

